

PLEASE CHECK WWW.MOLEX.COM FOR LATEST PART INFORMATION

Part Number: [0191210010](#)
Status: **Active**
Description: InsulKrimp™ Flanged Spade Tongue Terminal for 18-22 AWG Wire, Stud Size 10, Mylar Tape Carrier

Documents:

[Drawing \(PDF\)](#) [RoHS Certificate of Compliance \(PDF\)](#)
[Product Specification PS-19902-009 \(PDF\)](#)

Agency Certification

CSA LR18689
 UL E32244

General

Product Family Ring and Spade Terminals
 Series [19121](#)
 Crimp Quality Equipment Yes
 Mil-Spec N/A
 Product Name InsulKrimp™
 Type Spade

Physical

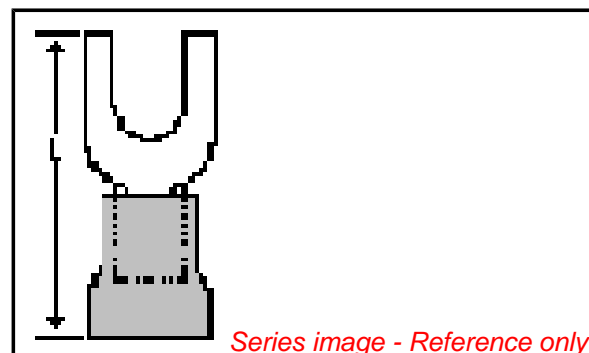
Barrel Type Closed
 Flammability 94V-2
 Insulation PVC
 Material - Plating Mating Tin
 Packaging Type Adhesive Tape on Reel
 Stud Size 10 (M5)
 Wire Insulation Diameter 3.68mm (.145")
 Wire Size AWG 18, 20, 22
 Wire Size mm² 0.25 - 1.50

Material Info

Old Part Number AA-215-10XT

Reference - Drawing Numbers

Product Specification PS-19902-009
 Sales Drawing SD-19121-001



EU RoHS

ELV and RoHS Compliant

REACH SVHC

Not Reviewed

Halogen-Free

Status

Not Reviewed

China RoHS



Need more information on product environmental compliance?

Email productcompliance@molex.com
 For a multiple part number RoHS Certificate of Compliance, [click here](#)

Please visit the [Contact Us](#) section for any non-product compliance questions.

Search Parts in this Series

[19121Series](#)

Application Tooling | [FAQ](#)

Tooling specifications and manuals are found by selecting the products below. Crimp Height Specifications are then contained in the Application Tooling Specification document.

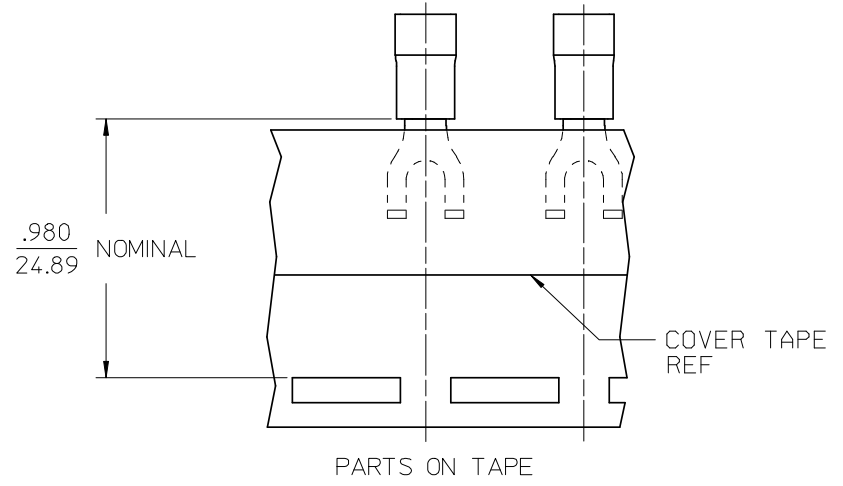
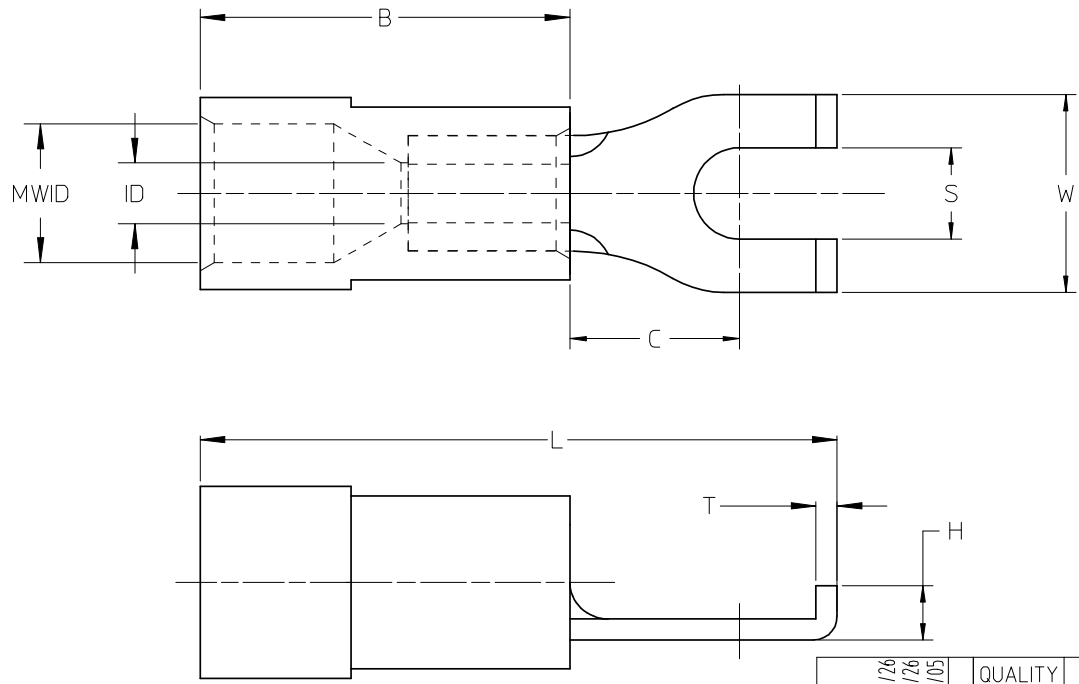
Global

| Description | Product # |
|---------------------------------------------------------------------------------------------------------------------------------------------------------------------------|----------------------------|
| Crimp Dies for MTA-100 Tape Applicator used in 3BF Press, MTA-105 Tape Applicator used in TM-2000™ Press, and ATP-301 Air Crimping Press for Mylar Tape Mounted Terminals | 0192880023 |
| Mini-Mac™ Applicator | 0638851300 |

This document was generated on 04/13/2010

PLEASE CHECK WWW.MOLEX.COM FOR LATEST PART INFORMATION

| LOOSE PIECE | | TAPE MOUNTED | | DIMENSIONS | | | | | | | | | | FINISH |
|-----------------|--------------------|-----------------|--------------------|------------|--------------|--------------|---------------|-----------|-----------|------------|---------------|---------|-----------|------------------|
| MATERIAL NUMBER | ENGINEERING NUMBER | MATERIAL NUMBER | ENGINEERING NUMBER | STUD SIZE | S ±.005 | W MAX | C MIN | ID MIN | MWID | B REF | L MAX | H REF | T REF | INSULATION COLOR |
| 191210005 | AA-215-06X | 191210006 | AA-215-06XT | 6 | .146/3.71 | .301/7.6 | .207/5.3 | .054/1.37 | .145/3.68 | .400/10.16 | .781/19.8 | .08/2.0 | .031/0.79 | RED |
| 191210007 | AA-215-08X | 191210008 | AA-215-08XT | 8 | .173/4.39 | .301/7.6 | .207/5.3 | .054/1.37 | .145/3.68 | .400/10.16 | .781/19.8 | .08/2.0 | .031/0.79 | RED |
| 191210009 | AA-215-10X | 191210010 | AA-215-10XT | 10 | .198/5.03 | .301/7.6 | .207/5.3 | .054/1.37 | .145/3.68 | .400/10.16 | .781/19.8 | .08/2.0 | .031/0.79 | RED |
| 191210026 | BB-216-06X | 191210027 | BB-216-06XT | 6 | .146/3.71 | .301/7.6 | .209/5.3 | .081/2.06 | .175/4.45 | .400/10.16 | .795/20.2 | .08/2.0 | .031/0.79 | BLUE |
| 191210028 | BB-216-08X | 191210029 | BB-216-08XT | 8 | .173/4.39 | .301/7.6 | .209/5.3 | .081/2.06 | .175/4.45 | .400/10.16 | .795/20.2 | .08/2.0 | .031/0.79 | BLUE |
| 191210030 | BB-216-10X | 191210031 | BB-216-10XT | 10 | .198/5.03 | .301/7.6 | .209/5.3 | .081/2.06 | .175/4.45 | .400/10.16 | .795/20.2 | .08/2.0 | .031/0.79 | BLUE |
| 191210051 | C-217-06X | 191210052 | C-217-06XT | 6 | .146/3.71 | .345/8.8 (A) | .270/6.85 (A) | .128/3.25 | .245/6.22 | .550/13.97 | 1.01/25.7 (A) | .10/2.5 | .040/1.02 | YELLOW |
| 191210053 | C-217-08X | 191210054 | C-217-08XT | 8 | .173/4.39 | .385/9.8 | .270/6.85 (A) | .128/3.25 | .245/6.22 | .550/13.97 | 1.01/25.7 (A) | .10/2.5 | .040/1.02 | YELLOW |
| 191210056 | C-217-10X | 191210057 | C-217-10XT | 10 | .209/5.3 (A) | .385/9.8 | .270/6.85 (A) | .128/3.25 | .245/6.22 | .550/13.97 | 1.01/25.7 (A) | .10/2.5 | .040/1.02 | YELLOW |



SALES DRAWING

- NOTES:
1. MATERIAL: COPPER
 2. PLATING: ELECTRO-TIN
 3. MWID = MAXIMUM WIRE INSULATION DIAMETER
 4. PART IS RoHS COMPLIANT

| | | | | | | | | | |
|------------------------------------------------------------------------------------------------------------------------------|-----------------|---------------------------------------|---------|-------------------------------------------------------------------------------------------------------------------------------|------------------------------------------------------|--------------------|---------------------------------------------|------------------------|---------------------|
| 12-10 TO ALT DIE DIMS EC NO: ETC2008-0012 DRWN:RSTONE 2007/11/26 CHKD:MACNEIL 2007/11/26 APPR:MACNEIL 2007/12/05 | QUALITY SYMBOLS | GENERAL TOLERANCES (UNLESS SPECIFIED) | | DIMENSION STYLE IN/MM | | SCALE --- | DESIGN UNITS INCH | THIRD ANGLE PROJECTION | |
| | ▽=0 | 4 PLACES | ± --- | ± --- | DRAWN BY JJ | DATE 1984/11/05 | TITLE FLANGED SPADE TERMINAL, INSULKRIMP | | |
| | ∇=0 | 3 PLACES | ± 0.005 | ± .005 | CHECKED BY GZ | DATE 1984/11/06 | MATERIAL NO. SEE CHART | | |
| | | 2 PLACES | ± 0.13 | ± .01 | APPROVED BY | DATE | DOCUMENT NO. SD-19121-001 | | |
| | | 1 PLACE | ± 0.25 | ± --- | DRAFT WHERE APPLICABLE MUST REMAIN WITHIN DIMENSIONS | | MATERIAL NO. SEE CHART | | SHEET NO. 1 OF 1 |
| | | ANGULAR ±1/2° | | THIS DRAWING CONTAINS INFORMATION THAT IS PROPRIETARY TO MOLEX INCORPORATED AND SHOULD NOT BE USED WITHOUT WRITTEN PERMISSION | | | | | |